

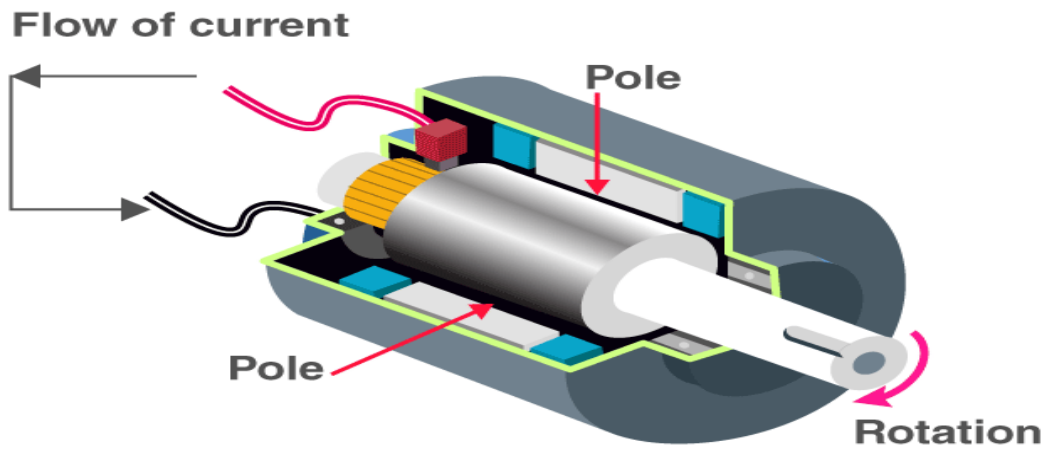


GANDHI SCHOOL OF
ENGINEERING, BHABANDHA, BERHAMPUR

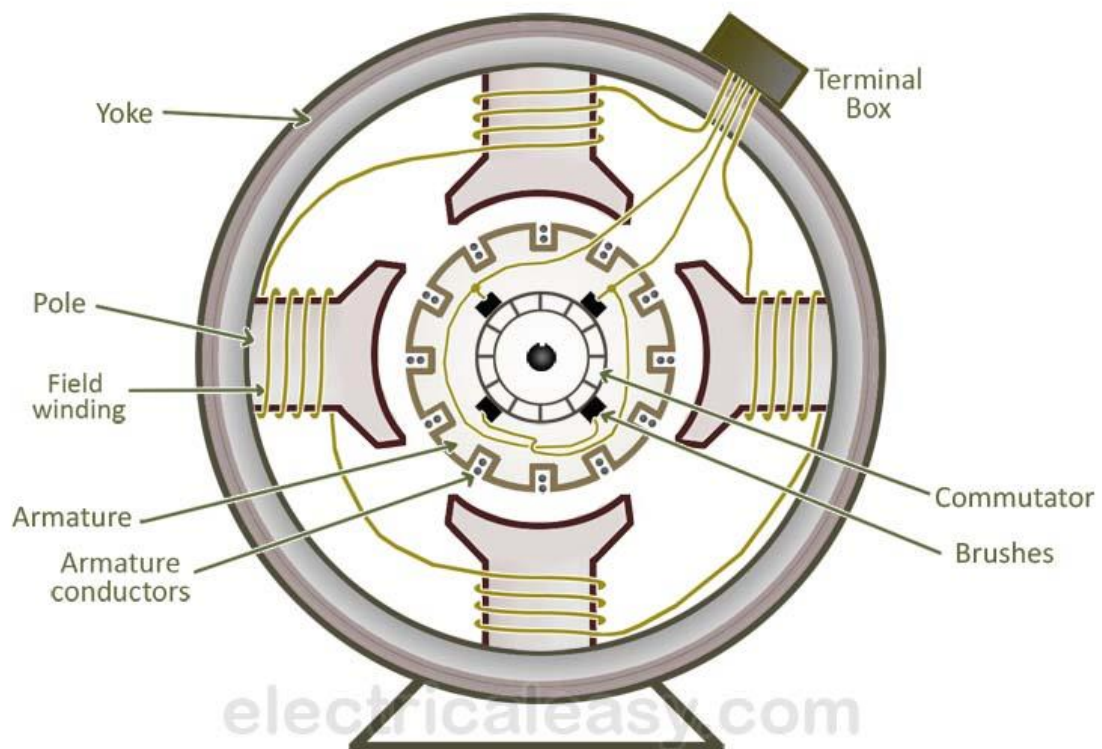
SUBJECT: ENERGY CONVERSION-1
SEMESTER: 4TH

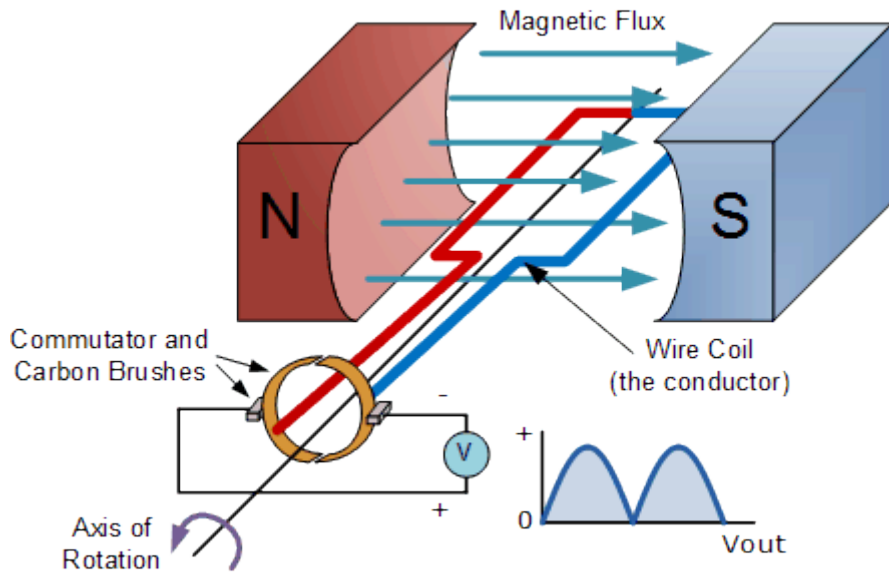
1ST CHAPTER-D.C GENERATOR

DC GENERATOR

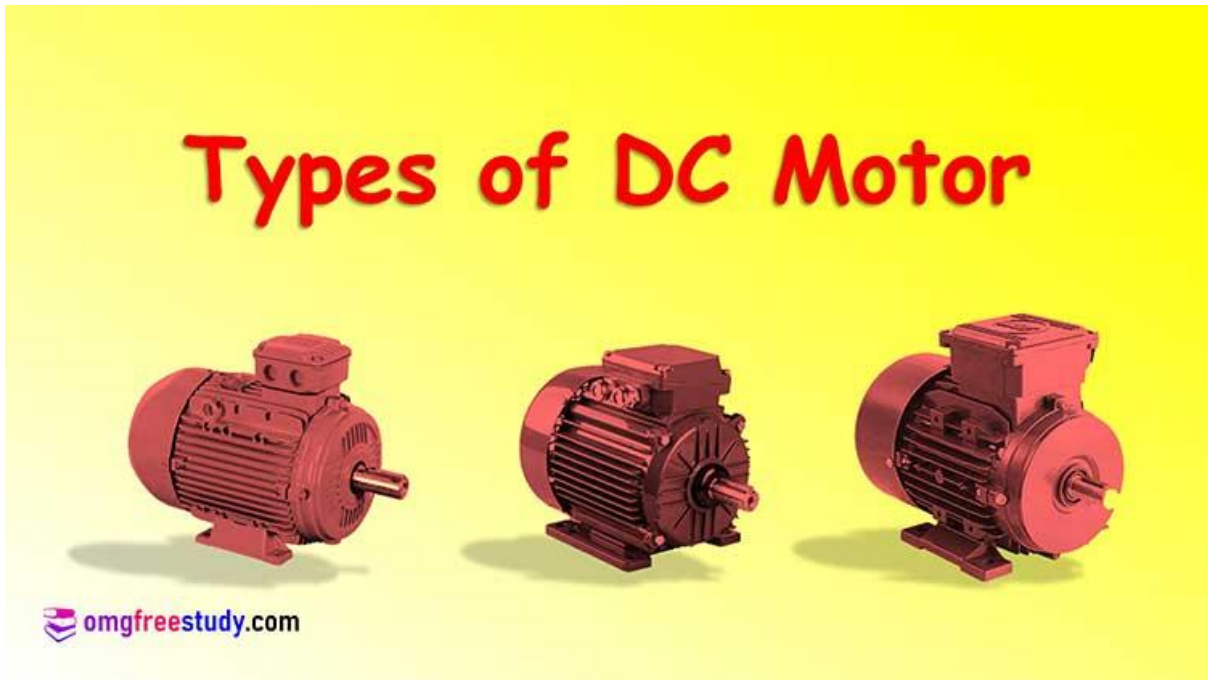


© Byjus.com

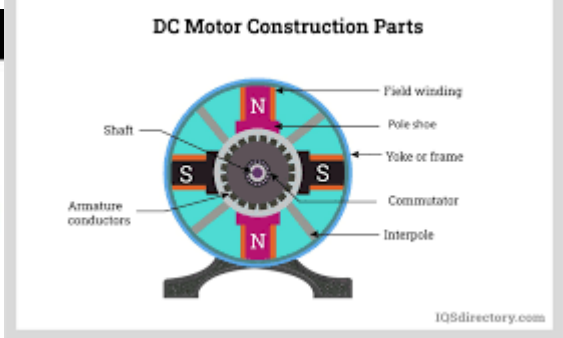
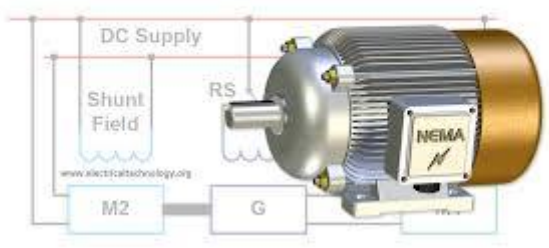


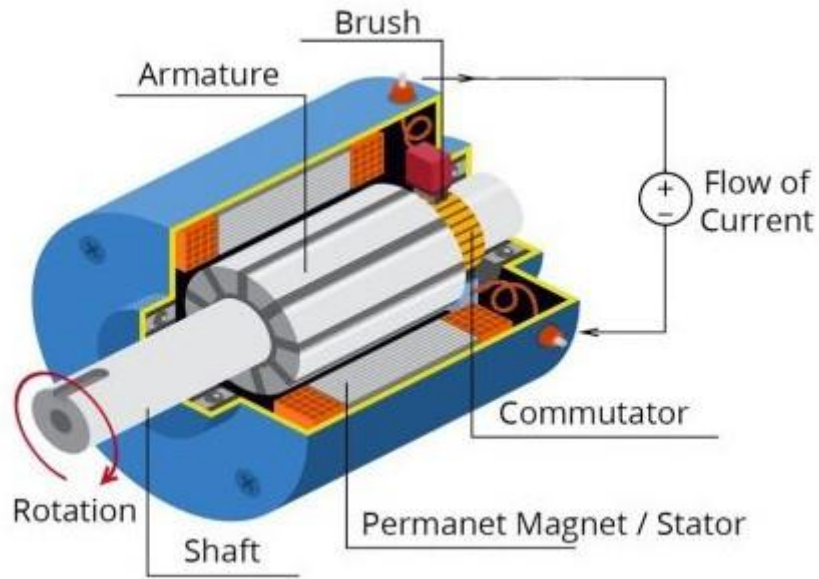


2ND CHAPTER-D. C. MOTORS



Speed Control Methods of DC Motor

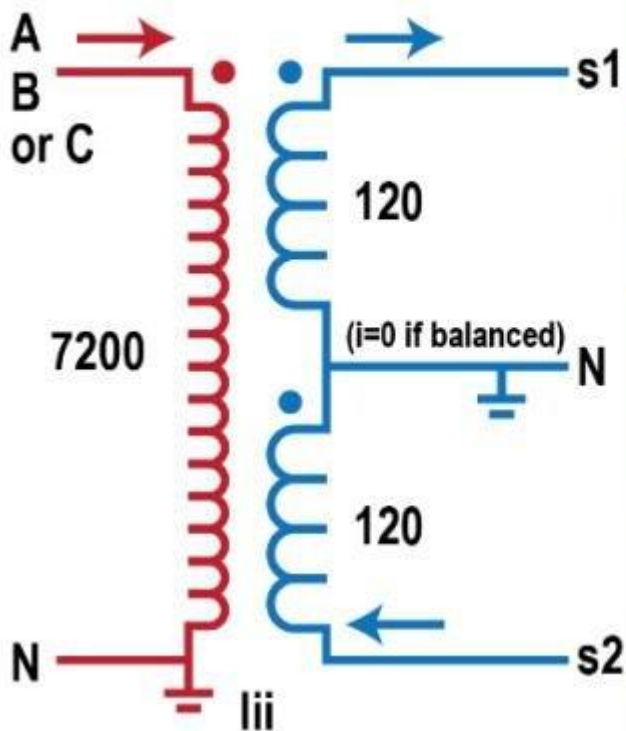




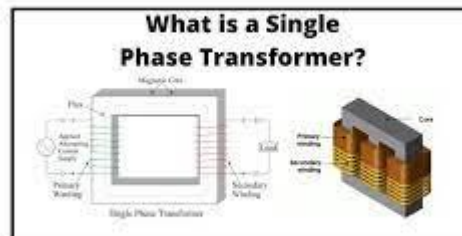
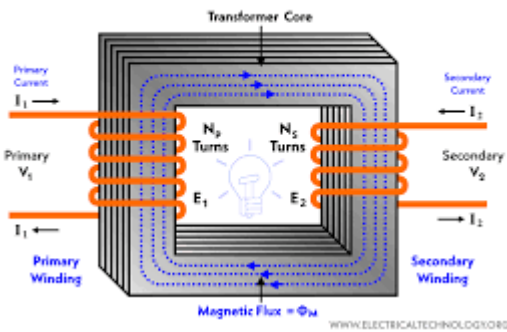
3RD CHAPTER-SINGLE PHASE TRANSFORMER



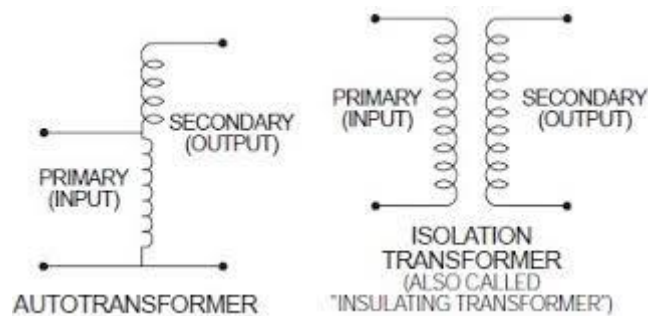
Single-phase Service Transformer



Single Phase Transformer

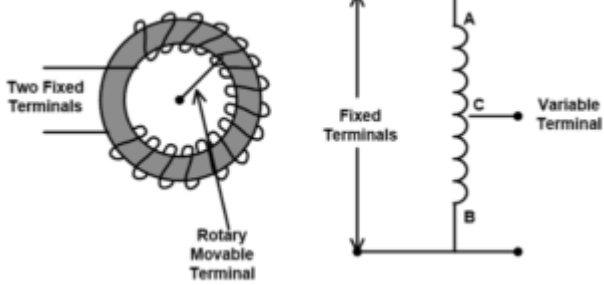


4TH CHAPTER-AUTO TRANSFORMER



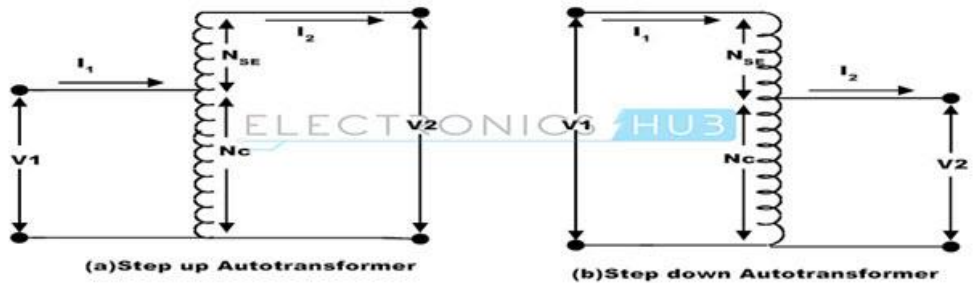


3a-single-phase-variable-autotransform

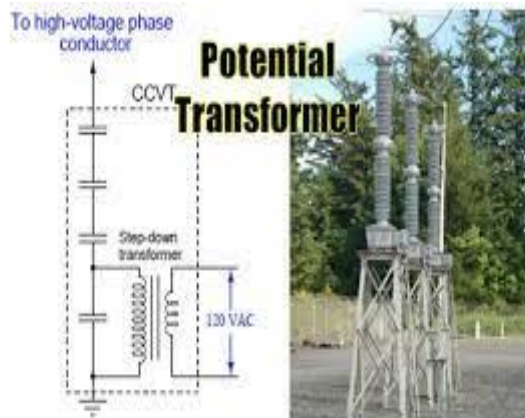


WHAT IS AUTOTRANSFORMER?

Types, Starting, Efficiency, Applications



6TH CHAPTER-INSTRUMENT TRANSFORMERS



How a CT Works

